

QTY.	PIPE SIZE NPS	OAL (IN)	LL (IN)	H (IN)	APPROX. SPRING FORCE * (LBS)	WORKING PRESSURE (PSIG)	MAX. TEST PRESSURE (PSIG)	ALLOWABLE MOTIONS X, Y, OR Z
	2"	31-1/2"	14"	14-1/2"	82	516	774	2"
	2-1/2"	34-3/4"	14-1/2"	16"	86	395	593	
	3"	39-1/2"	16-1/2"	18"	93	385	578	
	4"	45-1/2"	18"	20-1/4"	127	270	405	
	5"	52-1/2"	20"	23-1/2"	214	225	337	
	6"	58-3/4"	21-1/2"	26"	228	170	255	
	8"	71"	24"	30-1/2"	312	235	353	
	10"	83-1/2"	27"	36"	345	260	390	
	12"	94"	28-1/2"	40"	399	160	240	

TOTAL FORCE NECESSARY TO ACCOMMODATE FULL MOTION, CALCULATED @ 150 PSIG
NOTE: 1) MAXIMUM OPERATING TEMPERATURE: 800° F.

*** FOR SAFE WORKING PRESSURE ABOVE 70°F, MULTIPLY PRESSURE SHOWN AT 70°F TIMES CORRECTION FACTOR OF REQUIRED TEMP.**

TEMP °F	FACTOR
70	1.0
200	.92
300	.86
400	.82
500	.77
600	.73

CUSTOMER: _____

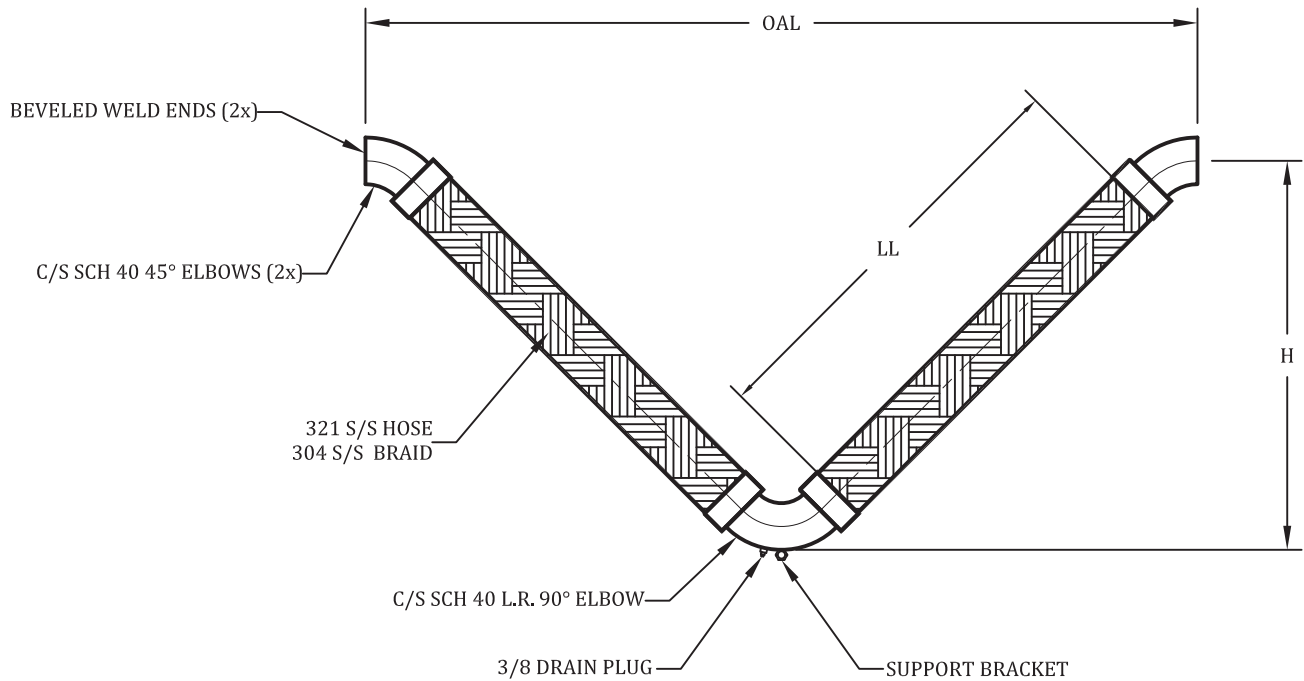
PROJECT: _____

ENGINEER: _____

PURCHASE ORDER: _____



REV.	DATE
5331 Quam Ave., N.E. St. Michael, MN 55376 TEL:763-201-2151 FAX:763-201-2134 www.engineeredflex.com	
SEISMIC V-LOOPS BEVELED WELD ENDS: 2" MOVEMENT	
DRAWN BY: AD	DATE: 11/02/2010
APPROVED:	DATE:
SCALE: NONE	DRAWING NUMBER: SVLW-2



QTY.	PIPE SIZE NPS	OAL (IN)	LL (IN)	H (IN)	APPROX. SPRING FORCE * (LBS)	WORKING PRESSURE (PSIG)	MAX. TEST PRESSURE (PSIG)	ALLOWABLE MOTIONS X, Y, OR Z
	2"	36"	17"	17"	82	516	774	3"
	2-1/2"	39-1/2"	18"	18-1/2"	86	395	593	
	3"	44-1/2"	20"	20-1/2"	93	385	578	
	4"	51"	22"	23-1/2"	127	270	405	
	5"	58-3/4"	24-1/2"	26-1/2"	214	225	337	
	6"	66"	26-1/2"	29-1/2"	228	170	255	
	8"	78-3/4"	29-1/2"	34-1/2"	312	235	353	
	10"	92-3/4"	33-1/2"	40-1/2"	345	260	390	
	12"	104"	35-1/2"	45"	399	160	240	

TOTAL FORCE NECESSARY TO ACCOMMODATE FULL MOTION, CALCULATED @ 150 PSIG
NOTE: 1) MAXIMUM OPERATING TEMPERATURE: 800° F.

* FOR SAFE WORKING PRESSURE ABOVE 70°F, MULTIPLY PRESSURE SHOWN AT 70°F TIMES CORRECTION FACTOR OF REQUIRED TEMP.	
TEMP °F	FACTOR
70	1.0
200	.92
300	.86
400	.82
500	.77
600	.73

CUSTOMER: _____

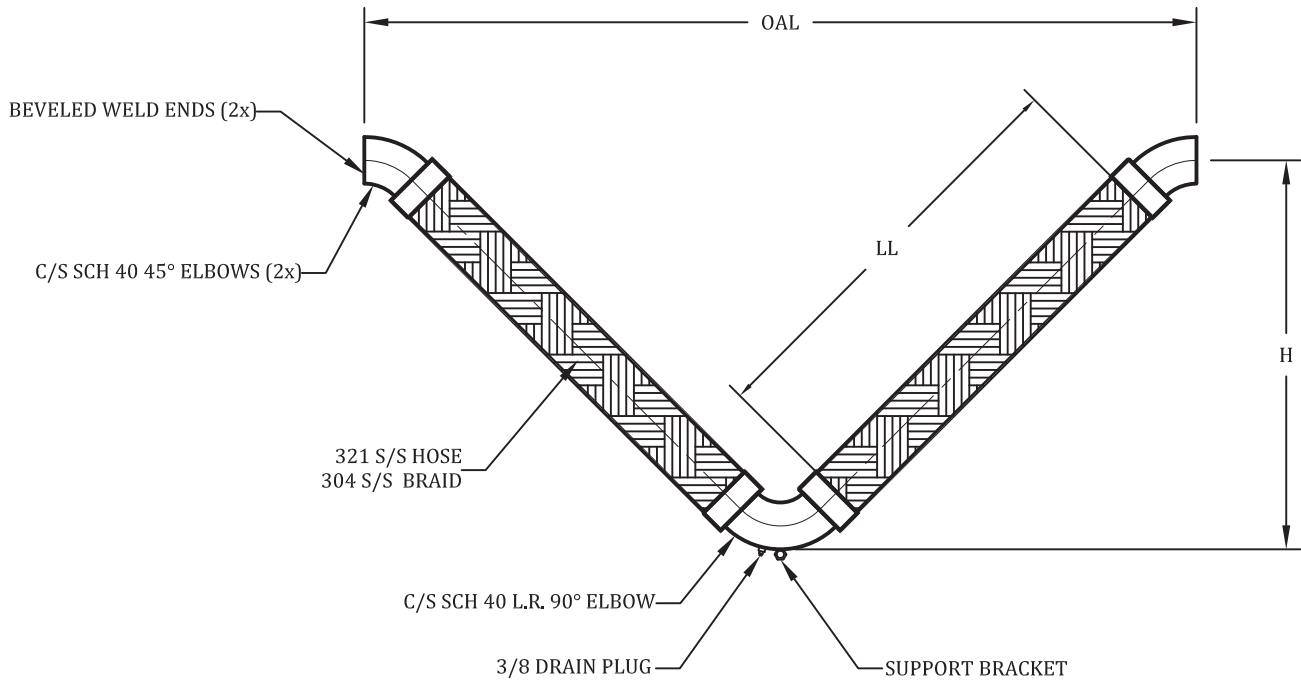
PROJECT: _____

ENGINEER: _____

PURCHASE ORDER: _____



REV.	DATE	
5331 Quam Ave., N.E. St. Michael, MN 55376 TEL:763-201-2151 FAX:763-201-2134 www.engineeredflex.com		
SEISMIC V-LOOPS BEVELED WELD ENDS: 3" MOVEMENT		
DRAWN BY:	AD	DATE: 11/02/2010
APPROVED:		DATE:
SCALE:	DRAWING NUMBER:	
NONE	SVLW-3	



QTY.	PIPE SIZE NPS	OAL (IN)	LL (IN)	H (IN)	APPROX. SPRING FORCE * (LBS)	WORKING PRESSURE (PSIG)	MAX. TEST PRESSURE (PSIG)	ALLOWABLE MOTIONS X, Y, OR Z
	2"	40"	20"	19"	82	516	774	4"
	2-1/2"	43"	20-1/2"	20"	86	395	593	
	3"	49-1/4"	23-1/2"	23"	93	385	578	
	4"	56	25-1/2"	26"	127	270	405	
	5"	64-1/2"	28-1/2"	29-1/2"	214	225	337	
	6"	71-1/2"	30-1/2"	32-1/2"	228	170	255	
	8"	85"	34"	38"	312	235	353	
	10"	100"	38-1/2"	44"	345	260	390	
	12"	112"	41"	49"	399	160	240	

TOTAL FORCE NECESSARY TO ACCOMMODATE FULL MOTION, CALCULATED @ 150 PSIG
NOTE: 1) MAXIMUM OPERATING TEMPERATURE: 800° F.

*** FOR SAFE WORKING PRESSURE ABOVE 70°F, MULTIPLY PRESSURE SHOWN AT 70°F TIMES CORRECTION FACTOR OF REQUIRED TEMP.**

TEMP °F	FACTOR
70	1.0
200	.92
300	.86
400	.82
500	.77
600	.73

CUSTOMER: _____
PROJECT: _____
ENGINEER: _____
PURCHASE ORDER: _____



REV.	DATE	
		5331 Quam Ave., N.E. St. Michael, MN 55376 TEL:763-201-2151 FAX:763-201-2134 www.engineeredflex.com
SEISMIC V-LOOPS BEVELED WELD ENDS: 4" MOVEMENT		
DRAWN BY:	AD	DATE: 11/02/2010
APPROVED:	DATE:	
SCALE:	DRAWING NUMBER:	
NONE	SVLW-4	