

QTY.	PIPE SIZE NPS	OAL (IN)	LL (IN)	H (IN)	APPROX. SPRING FORCE * (LBS)	WORKING PRESSURE (PSIG)	MAX. TEST PRESSURE (PSIG)	ALLOWABLE MOTIONS X, Y, OR Z
	1/2"	22-1/4"	9"	9-1/4"	35	1335	2003	2"
	3/4"	23-3/4"	10"	9-3/4"	41	1135	1703	
	1"	27-1/2"	11"	10-3/4"	45	795	1193	
	1-1/4"	29-3/4"	12"	12"	64	610	915	
	1-1/2"	31-1/2"	12-1/2"	12-1/2"	68	530	795	
	2"	35-1/2"	14"	14-1/2"	82	516	774	
	2-1/2"	39-1/2"	14-1/2"	15-1/2"	86	395	593	
	3"	45-1/2"	16-1/2"	17-3/4"	93	385	578	
	4"	84"	18"	20"	127	270	405	

TOTAL FORCE NECESSARY TO ACCOMMODATE FULL MOTION, CALCULATED @ 150 PSIG

NOTE: 1) MAXIMUM OPERATING TEMPERATURE: 800° F.

*** FOR SAFE WORKING PRESSURE
ABOVE 70°F, MULTIPLY PRESSURE
SHOWN AT 70°F TIMES CORRECTION
FACTOR OF REQUIRED TEMP.**

TEMP °F	FACTOR
70	1.0
200	.92
300	.86
400	.82
500	.77
600	.73

CUSTOMER: _____

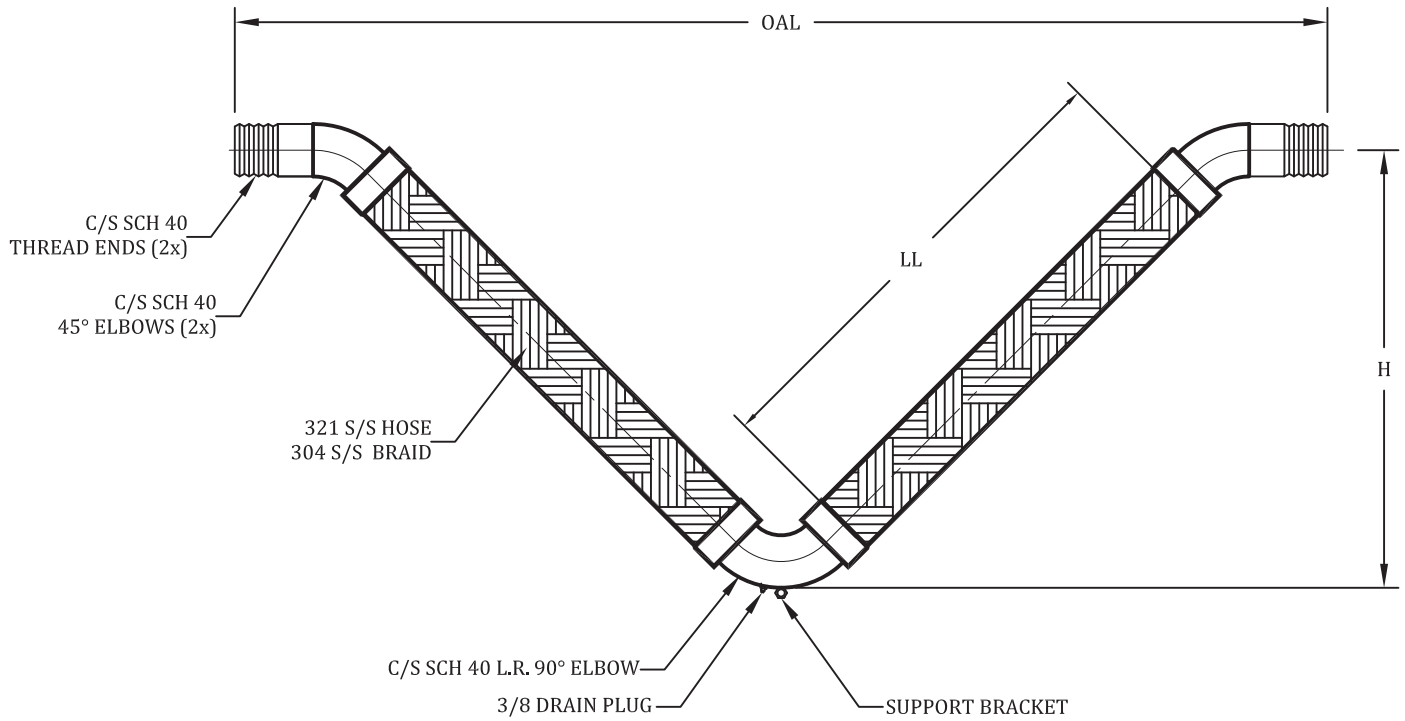
PROJECT: _____

ENGINEER: _____

PURCHASE ORDER: _____



REV.	DATE
EFPP ENGINEERED FLEXIBLE PRODUCTS, INC.	
5331 Quam Ave., N.E. St. Michael, MN 55376 TEL:763-201-2151 FAX:763-201-2134 www.engineeredflex.com	
SEISMIC V-LOOPS THREADED ENDS: 2" MOVEMENT	
DRAWN BY: AD	DATE: 11/02/2010
APPROVED:	DATE:
SCALE: NONE	DRAWING NUMBER: SVLT-2



QTY.	PIPE SIZE NPS	OAL (IN)	LL (IN)	H (IN)	APPROX. SPRING FORCE * (LBS)	WORKING PRESSURE (PSIG)	MAX. TEST PRESSURE (PSIG)	ALLOWABLE MOTIONS X, Y, OR Z
	1/2"	25-3/4"	11-1/2"	11"	75	1335	2003	3"
	3/4"	27-1/4"	12-1/2"	11-1/2"	82	1135	1703	
	1"	31"	13-1/2"	12-3/4"	86	795	1193	
	1-1/4"	33-1/2"	14-1/2"	13-3/4"	93	610	915	
	1-1/2"	35-3/4"	15-1/2"	14-3/4"	127	530	795	
	2"	39-3/4"	17"	16-1/2"	214	516	774	
	2-1/2"	44-1/2"	18"	18"	228	395	593	
	3"	50-1/4"	20"	20-1/4"	312	385	578	
	4"	59"	22"	23"	345	270	405	

**TOTAL FORCE NECESSARY TO ACCOMMODATE FULL MOTION, CALCULATED @ 150 PSIG.
NOTE: 1) MAXIMUM OPERATING TEMPERATURE: 800° F.**

* FOR SAFE WORKING PRESSURE ABOVE 70°F, MULTIPLY PRESSURE SHOWN AT 70°F TIMES CORRECTION FACTOR OF REQUIRED TEMP.	
TEMP °F	FACTOR
70	1.0
200	.92
300	.86
400	.82
500	.77
600	.73



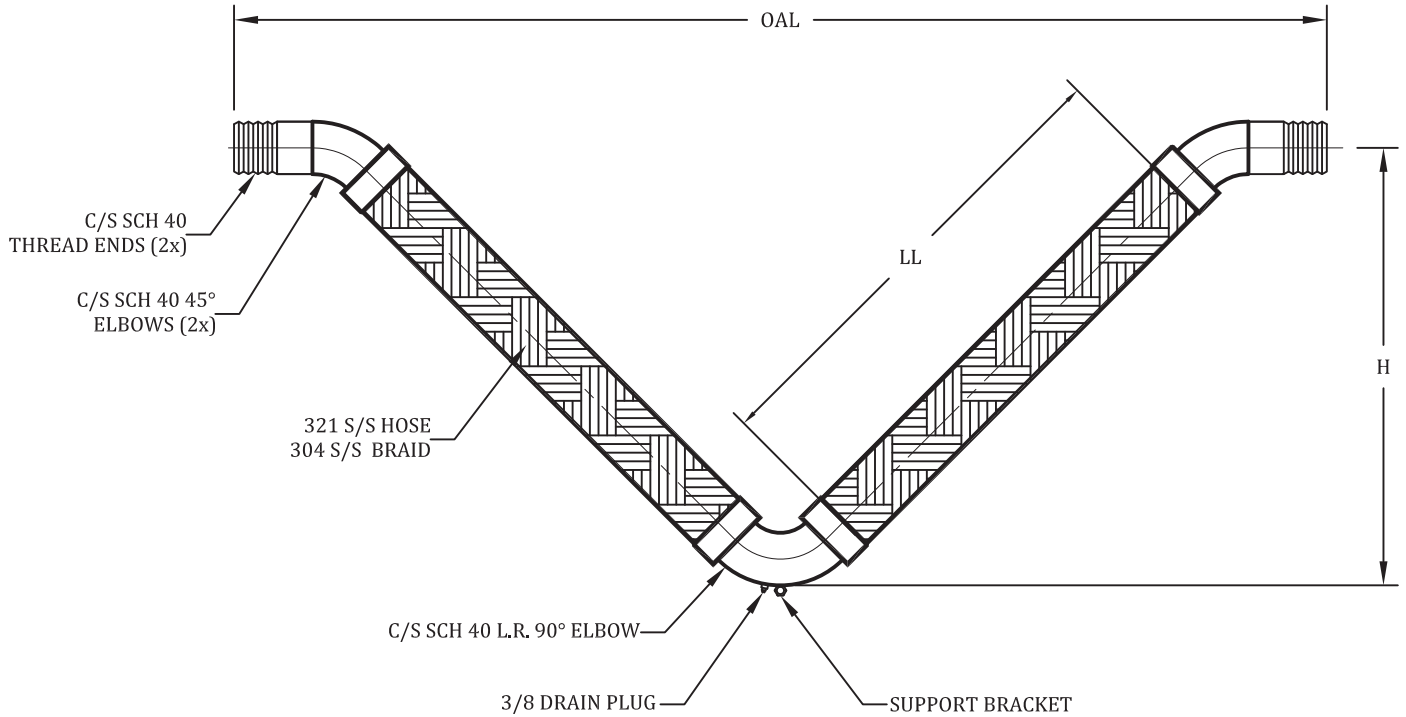
CUSTOMER: _____

PROJECT: _____

ENGINEER: _____

PURCHASE ORDER: _____

REV.	DATE
5331 Quam Ave., N.E. St. Michael, MN 55376 TEL:763-201-2151 FAX:763-201-2134 www.engineeredflex.com	
SEISMIC V-LOOPS THREADED ENDS: 3" MOVEMENT	
DRAWN BY: AD	DATE: 11/02/2010
APPROVED:	DATE:
SCALE: NONE	DRAWING NUMBER: SVLT-3



QTY.	PIPE SIZE NPS	OAL (IN)	LL (IN)	H (IN)	APPROX. SPRING FORCE * (LBS)	WORKING PRESSURE (PSIG)	MAX. TEST PRESSURE (PSIG)	ALLOWABLE MOTIONS X, Y, OR Z
	1/2"	28-1/2"	13-1/2"	12-1/4"	75	1335	2003	4"
	3/4"	30-3/4"	15"	13-1/4"	82	1135	1703	
	1"	34-1/2"	16"	14-1/2"	86	795	1193	
	1-1/4"	37"	17"	15-1/2"	93	610	915	
	1-1/2"	39-1/4"	18"	16-1/2"	127	530	795	
	2"	44"	20"	18-1/2"	214	516	774	
	2-1/2"	48"	20-1/2"	22-3/4"	228	395	593	
	3"	55-1/4"	23-1/2"	25-1/2"	312	385	578	
	4"	64"	25-1/2"	25-1/2"	345	270	405	

**TOTAL FORCE NECESSARY TO ACCOMMODATE FULL MOTION, CALCULATED @ 150 PSIG.
NOTE: 1) MAXIMUM OPERATING TEMPERATURE: 800° F.**

*** FOR SAFE WORKING PRESSURE ABOVE 70°F, MULTIPLY PRESSURE SHOWN AT 70°F TIMES CORRECTION FACTOR OF REQUIRED TEMP.**

TEMP °F	FACTOR
70	1.0
200	.92
300	.86
400	.82
500	.77
600	.73


CUSTOMER: _____

PROJECT: _____

ENGINEER: _____

PURCHASE ORDER: _____



REV.	DATE
 ENGINEERED FLEXIBLE PRODUCTS, INC.	
5331 Quam Ave., N.E. St. Michael, MN 55376 TEL:763-201-2151 FAX:763-201-2134 www.engineeredflex.com	
SEISMIC V-LOOPS THREADED ENDS: 4" MOVEMENT	
DRAWN BY: AD	DATE: 11/02/2010
APPROVED:	DATE:
SCALE: NONE	DRAWING NUMBER: SVLT-4