

QTY.	PIPE SIZE NPS	OAL (IN)	LL (IN)	H (IN)	APPROX. SPRING FORCE * (LBS)	WORKING PRESSURE (PSIG)	MAX. TEST PRESSURE (PSIG)	ALLOWABLE MOTIONS X, Y, OR Z
	2"	38"	14"	14-1/2"	82	516	774	2"
	2-1/2"	41-1/8"	14-1/2"	16"	86	395	593	
	3"	45-7/8"	16-1/2"	18"	93	385	578	
	4"	51-7/8"	18"	18"	127	270	405	
	5"	58-7/8"	20"	23-1/2"	214	225	337	
	6"	65-1/4"	21-1/2"	26"	228	170	255	
	8"	77-3/8"	24"	30-1/2"	312	235	353	
	10"	90"	27"	36"	345	260	390	
	12"	100-3/4"	28-1/2"	40"	399	160	240	

**TOTAL FORCE NECESSARY TO ACCOMMODATE FULL MOTION, CALCULATED @ 150 PSIG.**

**\* FOR SAFE WORKING PRESSURE  
ABOVE 70°F, MULTIPLY PRESSURE  
SHOWN AT 70°F TIMES CORRECTION  
FACTOR OF REQUIRED TEMP.**

TEMP °F	FACTOR
70	1.0
200	.92
300	.86
400	.82
500	.77
600	.73

**CUSTOMER:** \_\_\_\_\_

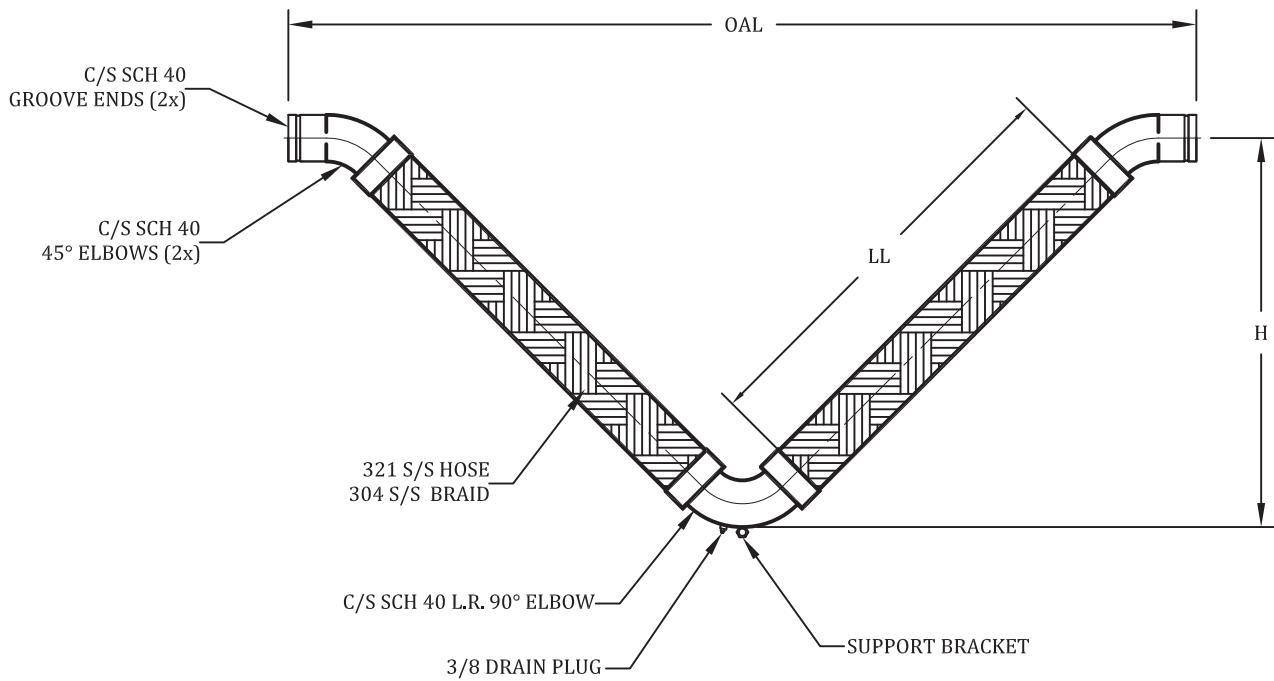
**PROJECT:** \_\_\_\_\_

**ENGINEER:** \_\_\_\_\_

**PURCHASE ORDER:** \_\_\_\_\_



REV.	DATE
5331 Quam Ave., N.E. St. Michael, MN 55376 TEL:763-201-2151 FAX:763-201-2134 www.engineeredflex.com	
<b>SEISMIC V-LOOPS</b> <b>GROOVED ENDS: 2" MOVEMENT</b>	
DRAWN BY: AD	DATE: 11/02/2010
APPROVED:	DATE:
SCALE: NONE	DRAWING NUMBER: SVLG-2



QTY.	PIPE SIZE NPS	OAL (IN)	LL (IN)	H (IN)	APPROX. SPRING FORCE * (LBS)	WORKING PRESSURE (PSIG)	MAX. TEST PRESSURE (PSIG)	ALLOWABLE MOTIONS X, Y, OR Z
	2"	42-3/8"	17"	17"	82	516	774	3"
	2-1/2"	46"	18"	18-1/2"	86	395	593	
	3"	50-3/4"	20"	20-1/2"	93	385	578	
	4"	57-1/2"	22"	23-1/2"	127	270	405	
	5"	65-1/4"	24-1/2"	26-1/2"	214	225	337	
	6"	72-3/8"	26-1/2"	29-1/2"	228	170	255	
	8"	85-1/8"	29-1/2"	34-1/2"	312	235	353	
	10"	99-1/4"	33-1/2"	40-1/2"	345	260	390	
	12"	110-5/8"	35-1/2"	45"	399	160	240	

**TOTAL FORCE NECESSARY TO ACCOMMODATE FULL MOTION, CALCULATED @ 150 PSIG.**

**\* FOR SAFE WORKING PRESSURE ABOVE 70°F, MULTIPLY PRESSURE SHOWN AT 70°F TIMES CORRECTION FACTOR OF REQUIRED TEMP.**

TEMP °F	FACTOR
70	1.0
200	.92
300	.86
400	.82
500	.77
600	.73

**CUSTOMER:** \_\_\_\_\_

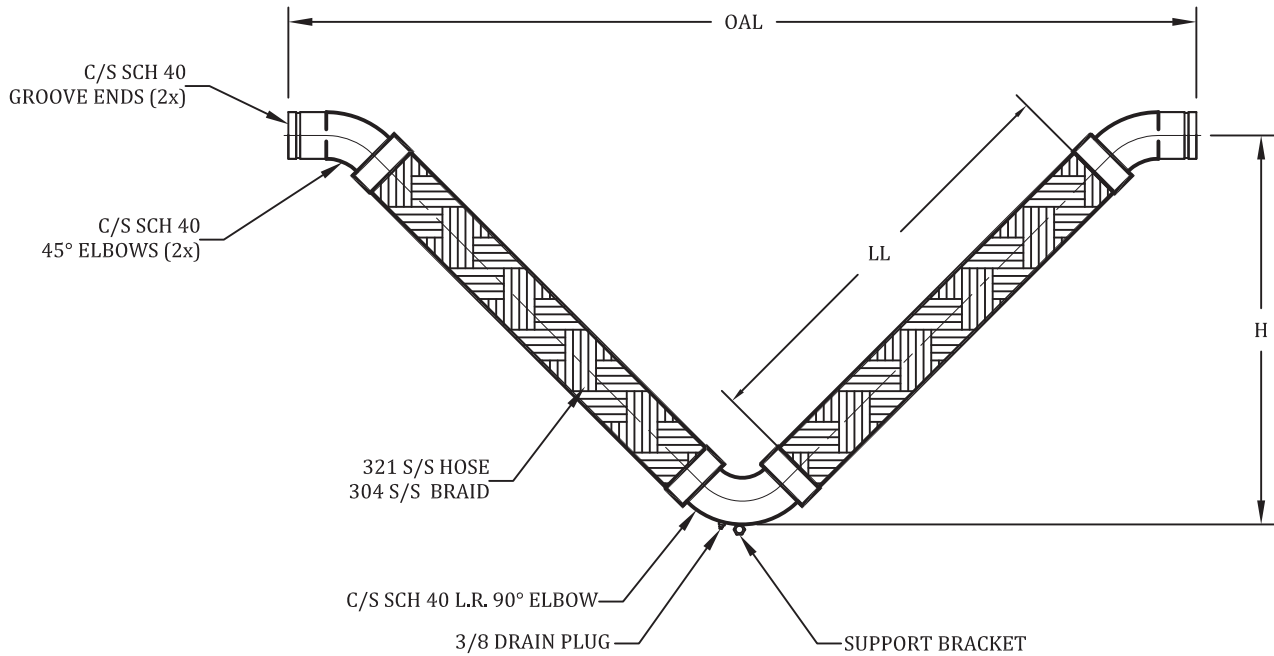
**PROJECT:** \_\_\_\_\_

**ENGINEER:** \_\_\_\_\_

**PURCHASE ORDER:** \_\_\_\_\_



REV.	DATE
5331 Quam Ave., N.E. St. Michael, MN 55376 TEL:763-201-2151 FAX:763-201-2134 www.engineeredflex.com	
<b>SEISMIC V-LOOPS</b> <b>GROOVED ENDS: 3" MOVEMENT</b>	
DRAWN BY: AD	DATE: 11/02/2010
APPROVED:	DATE:
SCALE: NONE	DRAWING NUMBER: SVLG-3



QTY.	PIPE SIZE NPS	OAL (IN)	LL (IN)	H (IN)	APPROX. SPRING FORCE * (LBS)	WORKING PRESSURE (PSIG)	MAX. TEST PRESSURE (PSIG)	ALLOWABLE MOTIONS X, Y, OR Z
	2"	46-1/2"	20"	19"	82	516	774	4"
	2-1/2"	49-5/8"	20-1/2"	20"	86	395	593	
	3"	55-3/4"	23-1/2"	23"	93	385	578	
	4"	62-3/8"	25-1/2"	26"	127	270	405	
	5"	70-7/8"	28-1/2"	29-1/2"	214	225	337	
	6"	78"	30-1/2"	32-1/2"	228	170	255	
	8"	91-1/2"	34"	38"	312	235	353	
	10"	106-3/8"	38-1/2"	44"	345	260	390	
	12"	118-3/8"	41"	49"	399	160	240	

**TOTAL FORCE NECESSARY TO ACCOMMODATE FULL MOTION, CALCULATED @ 150 PSIG.**

**\* FOR SAFE WORKING PRESSURE ABOVE 70°F, MULTIPLY PRESSURE SHOWN AT 70°F TIMES CORRECTION FACTOR OF REQUIRED TEMP.**

TEMP °F	FACTOR
70	1.0
200	.92
300	.86
400	.82
500	.77
600	.73

**CUSTOMER:** \_\_\_\_\_

**PROJECT:** \_\_\_\_\_

**ENGINEER:** \_\_\_\_\_

**PURCHASE ORDER:** \_\_\_\_\_



REV.	DATE
5331 Quam Ave., N.E. St. Michael, MN 55376 TEL:763-201-2151 FAX:763-201-2134 www.engineeredflex.com	
<b>SEISMIC V-LOOPS</b> <b>GROOVED ENDS: 4" MOVEMENT</b>	
DRAWN BY: AD	DATE: 11/02/2010
APPROVED:	DATE:
SCALE: NONE	DRAWING NUMBER: SVLG-4