

QTY.	PIPE SIZE NPS	OAL (IN)	LL (IN)	H (IN)	APPROX. SPRING FORCE * (LBS)	WORKING PRESSURE (PSIG)	MAX. TEST PRESSURE (PSIG)	ALLOWABLE MOTIONS X, Y, OR Z
	1-1/2"	28"	12-1/2"	12-3/4"	75	530	795	2"
	2"	32"	14"	14-1/2"	82	516	774	
	2-1/2"	35"	14-1/2"	15-1/2"	86	395	593	
	3"	39-3/4"	16-1/2"	17-3/4"	93	385	578	
	4"	45-3/4"	18"	20-1/4"	127	270	405	
	5"	53"	20"	23"	214	225	337	
	6"	59-1/4"	21-1/2"	25-3/4"	228	170	255	
	8"	71-1/4"	24"	30-1/2"	312	235	353	
	10"	84"	27"	35-1/2"	345	260	390	
	12"	94-3/4"	28-1/2"	39-1/2"	399	160	240	

**TOTAL FORCE NECESSARY TO ACCOMMODATE FULL MOTION, CALCULATED @ 150 PSIG**  
**NOTE: 1) MAXIMUM OPERATING TEMPERATURE: 800° F. 2) OTHER STYLE FLANGES AVAILABLE.**

**\* FOR SAFE WORKING PRESSURE ABOVE 70°F, MULTIPLY PRESSURE SHOWN AT 70°F TIMES CORRECTION FACTOR OF REQUIRED TEMP.**

TEMP °F	FACTOR
70	1.0
200	.92
300	.86
400	.82
500	.77
600	.73

**CUSTOMER:** \_\_\_\_\_

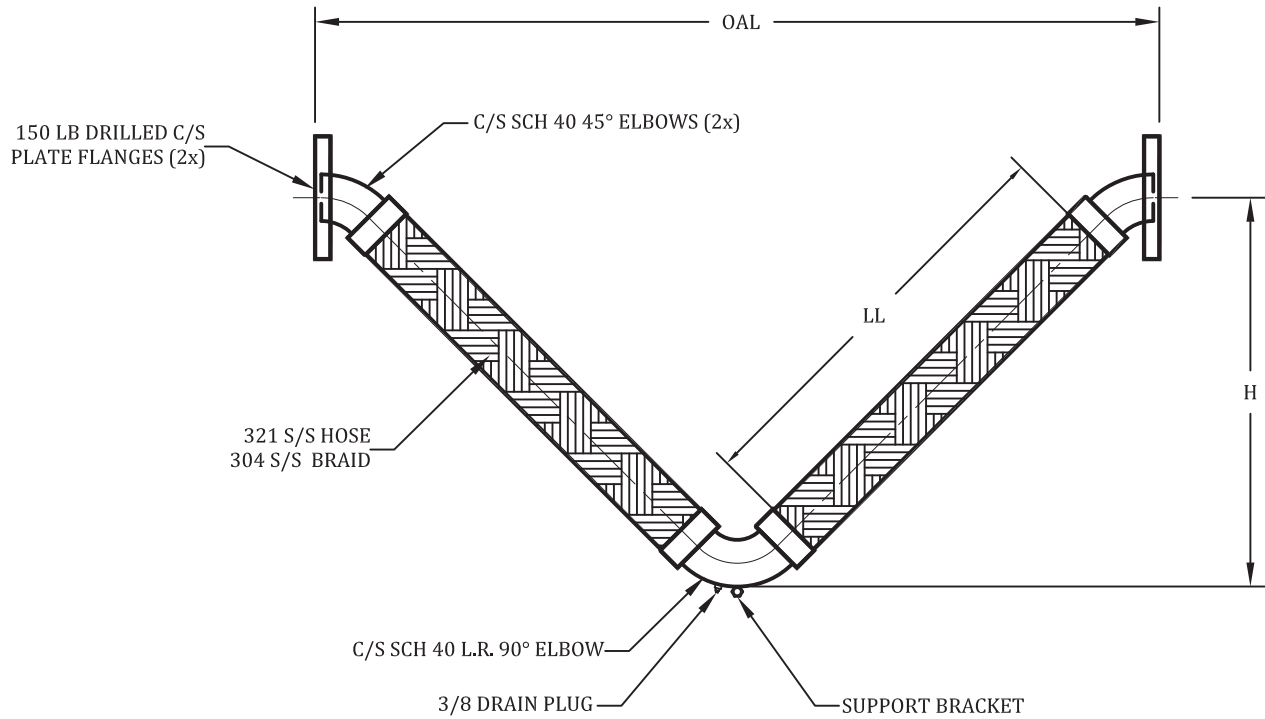
**PROJECT:** \_\_\_\_\_

**ENGINEER:** \_\_\_\_\_

**PURCHASE ORDER:** \_\_\_\_\_



REV.	DATE
5331 Quam Ave., N.E. St. Michael, MN 55376 TEL:763-201-2151 FAX:763-201-2134 www.engineeredflex.com	
<b>SEISMIC V-LOOPS</b> <b>FLANGED ENDS: 2" MOVEMENT</b>	
DRAWN BY: AD	DATE: 11/02/2010
APPROVED:	DATE:
SCALE: NONE	DRAWING NUMBER: SVLF-2



QTY.	PIPE SIZE NPS	OAL (IN)	LL (IN)	H (IN)	APPROX. SPRING FORCE * (LBS)	WORKING PRESSURE (PSIG)	MAX. TEST PRESSURE (PSIG)	ALLOWABLE MOTIONS X, Y, OR Z
	1-1/2"	32-1/4"	15-1/2"	14-3/4"	75	530	795	3"
	2"	36-1/4"	17"	16-1/2"	82	516	774	
	2-1/2"	40"	18"	18"	86	395	593	
	3"	45"	20"	21-1/2"	93	385	578	
	4"	51-1/2"	22"	23"	127	270	405	
	5"	59-1/2"	24-1/2"	26-1/4"	214	225	337	
	6"	66-1/4"	26-1/2"	29-1/4"	228	170	255	
	8"	79"	29-1/2"	34-1/4"	312	235	353	
	10"	93-1/4"	33-1/2"	40"	345	260	390	
	12"	104-3/4"	35-1/2"	44-1/2"	399	160	240	

**TOTAL FORCE NECESSARY TO ACCOMODATE FULL MOTION, CALCULATED @ 150 PSIG**  
**NOTE: 1) MAXIMUM OPERATING TEMPERATURE: 800° F. 2) OTHER STYLE FLANGES AVAILABLE.**

* FOR SAFE WORKING PRESSURE ABOVE 70°F, MULTIPLY PRESSURE SHOWN AT 70°F TIMES CORRECTION FACTOR OF REQUIRED TEMP.	
TEMP °F	FACTOR
70	1.0
200	.92
300	.86
400	.82
500	.77
600	.73

**CUSTOMER:** \_\_\_\_\_

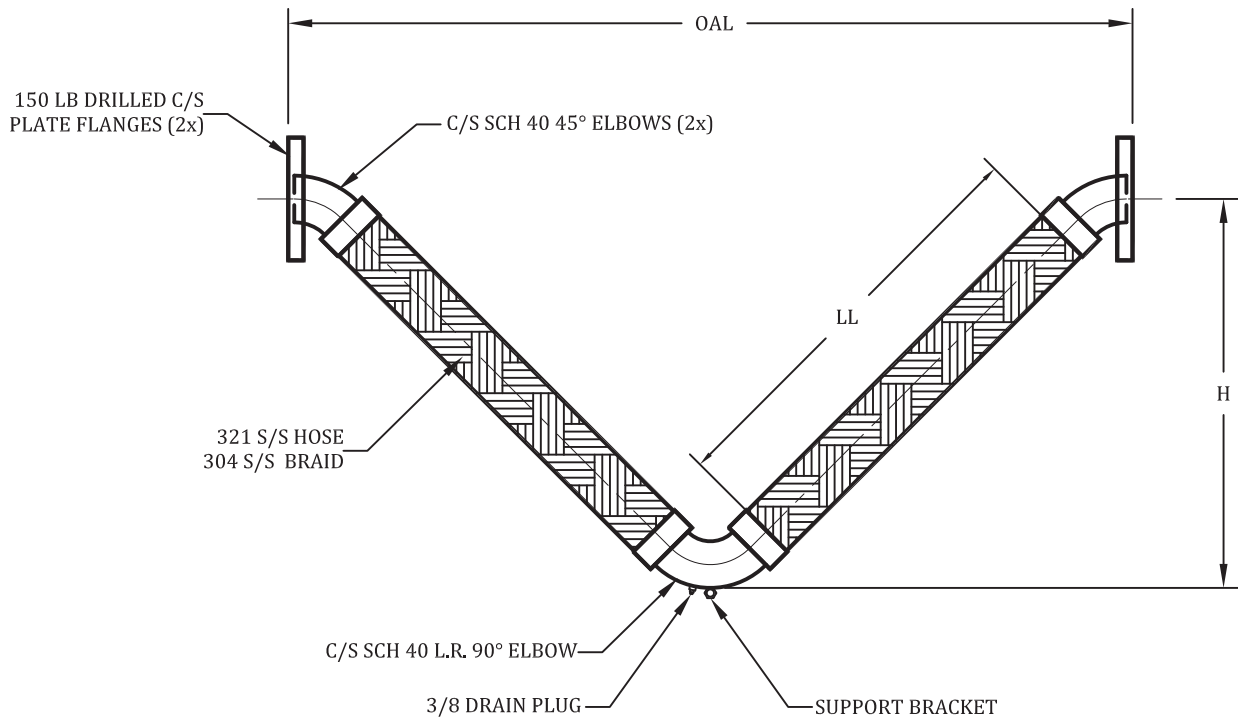
**PROJECT:** \_\_\_\_\_

**ENGINEER:** \_\_\_\_\_

**PURCHASE ORDER:** \_\_\_\_\_



REV.	DATE	
<b>EFEP</b> ENGINEERED FLEXIBLE PRODUCTS, INC.		
5331 Quam Ave., N.E. St. Michael, MN 55376 TEL:763-201-2151 FAX:763-201-2134 www.engineeredflex.com		
<b>SEISMIC V-LOOPS</b> <b>FLANGED ENDS: 3" MOVEMENT</b>		
DRAWN BY:	AD	DATE: 11/02/2010
APPROVED:		DATE:
SCALE:	DRAWING NUMBER:	
NONE	SVLF-3	



QTY.	PIPE SIZE NPS	OAL (IN)	LL (IN)	H (IN)	APPROX. SPRING FORCE * (LBS)	WORKING PRESSURE (PSIG)	MAX. TEST PRESSURE (PSIG)	ALLOWABLE MOTIONS X, Y, OR Z
	1-1/2"	35-3/4"	18"	16-1/4"	75	530	795	4"
	2"	40-1/2"	20"	18-3/4"	82	516	774	
	2-1/2"	43-1/2"	20-1/2"	19-3/4"	86	395	593	
	3"	49-3/4"	23-1/2"	22-3/4"	93	385	578	
	4"	56-1/2"	25-1/2"	25-1/2"	127	270	405	
	5"	65"	28-1/2"	29"	214	225	337	
	6"	72"	30-1/2"	32"	228	170	255	
	8"	85-1/2"	34"	37-1/2"	312	235	353	
	10"	100-1/4"	38-1/2"	43-3/4"	345	260	390	
	12"	112-1/4"	41"	48-1/2"	399	160	240	

**TOTAL FORCE NECESSARY TO ACCOMODATE FULL MOTION, CALCULATED @ 150 PSIG**  
**NOTE: 1) MAXIMUM OPERATING TEMPERATURE: 800° F. 2) OTHER STYLE FLANGES AVAILABLE.**

**\* FOR SAFE WORKING PRESSURE ABOVE 70°F, MULTIPLY PRESSURE SHOWN AT 70°F TIMES CORRECTION FACTOR OF REQUIRED TEMP.**

TEMP °F	FACTOR
70	1.0
200	.92
300	.86
400	.82
500	.77
600	.73

**CUSTOMER:** \_\_\_\_\_

**PROJECT:** \_\_\_\_\_

**ENGINEER:** \_\_\_\_\_

**PURCHASE ORDER:** \_\_\_\_\_



REV.	DATE
5331 Quam Ave., N.E. St. Michael, MN 55376 TEL:763-201-2151 FAX:763-201-2134 www.engineeredflex.com	
<b>SEISMIC V-LOOPS</b> <b>FLANGED ENDS: 4" MOVEMENT</b>	
DRAWN BY: AD	DATE: 11/02/2010
APPROVED:	DATE:
SCALE: NONE	DRAWING NUMBER: SVLF-4