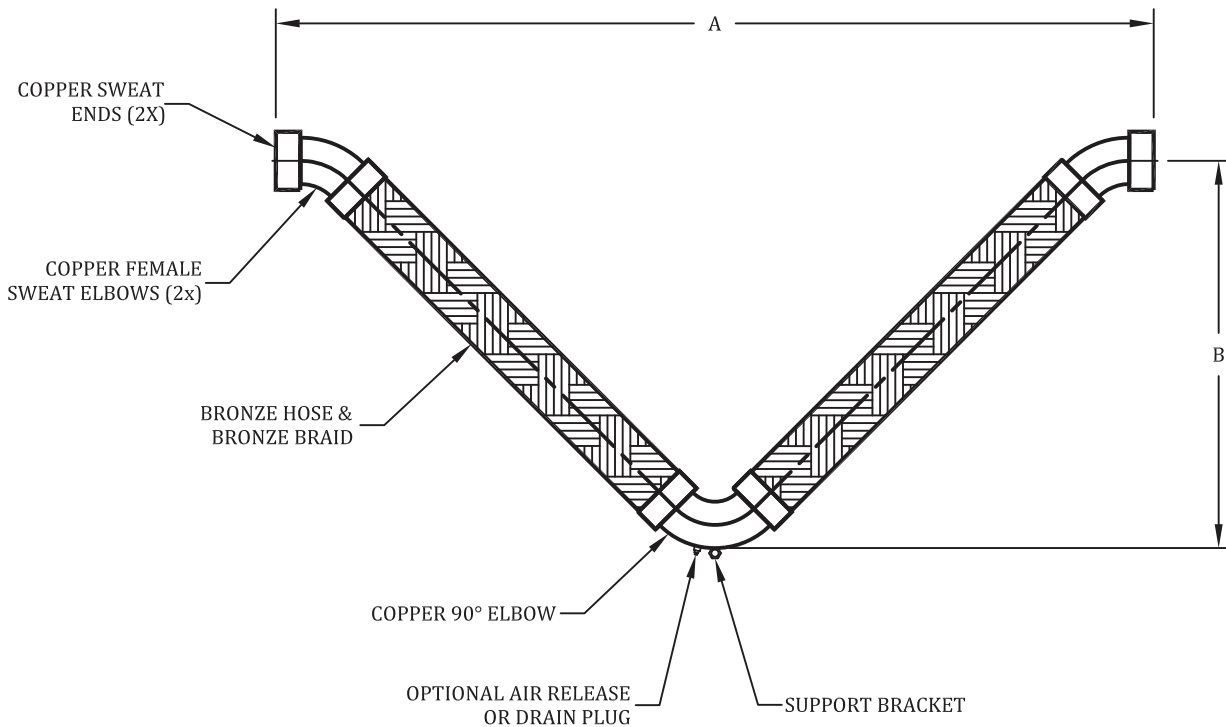


# COPPER SWEAT ENDS

All wetted surface of this product contacted by consumable water contains less than one quarter of one percent (.25%) of lead by weight.

# MATERIALS OF CONSTRUCTION

END FITTINGS COPPER FEMALE SWEAT  
 HOSE & BRAID SINGLE BRAIDED BRONZE  
 90° ELBOW COPPER  
 180° RETURN COPPER



QTY.	PIPE SIZE NPS	MODEL	AXIAL	A	B	WORKING PRESSURE (PSIG)	SPRING FORCE LBS*	NOTES
	1/2"	EVS2	+/- 2"	20.25"	9.25"	706	45	
	3/4"	EVS2	+/- 2"	22.75"	10.25"	577	47	
	1"	EVS2	+/- 2"	24.50"	11.00"	470	53	
	1-1/4"	EVS2	+/- 2"	27.50"	12.00"	361	66	
	1-1/2"	EVS2	+/- 2"	29.00"	12.75"	329	70	
	2"	EVS2	+/- 2"	32.50"	14.00"	317	78	

\*SPRING FORCE: THESE VALUES REFLECT THE TOTAL FORCE REQUIRED TO MOVE THE V - LOOP IT'S FULL RATED MOVEMENT FOR 150 PSI @ 70° F. ALL DIMENSIONS ARE IN INCHES .


CUSTOMER: \_\_\_\_\_

PROJECT: \_\_\_\_\_

ENGINEER: \_\_\_\_\_

PURCHASE ORDER: \_\_\_\_\_

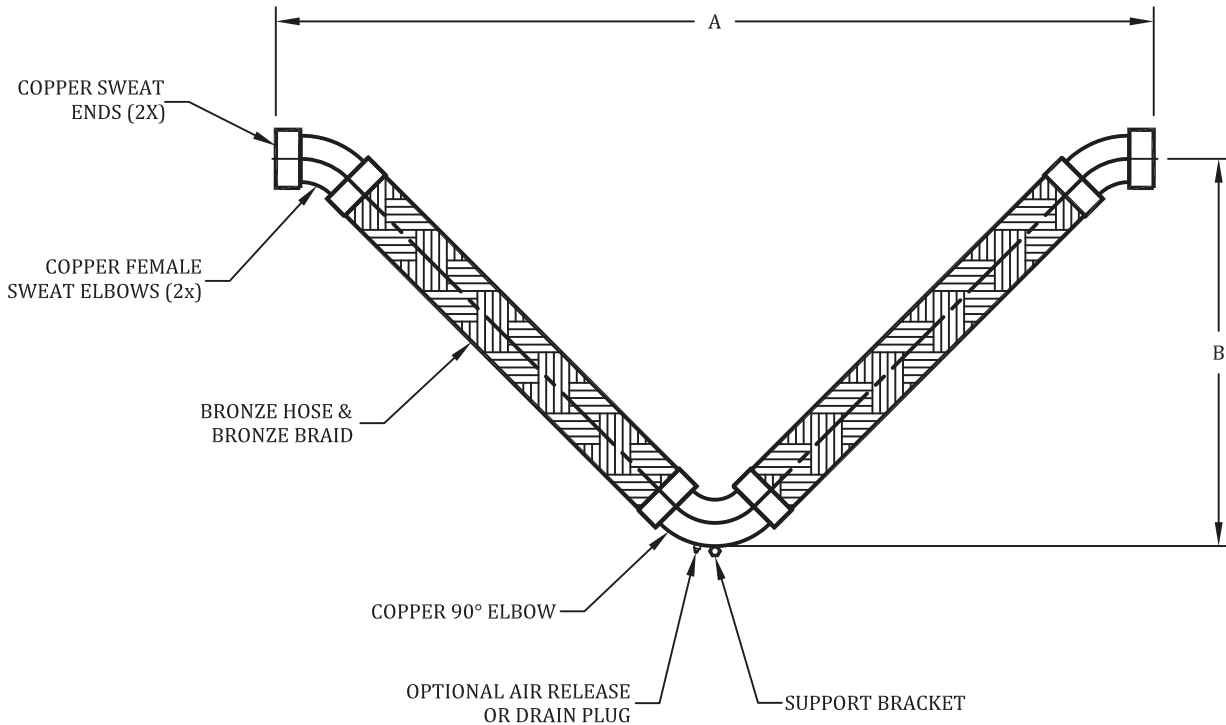


REV.	DATE
 <b>ENGINEERED FLEXIBLE PRODUCTS, INC.</b>	
5331 Quam Ave., N.E. St. Michael, MN 55376 TEL:763-201-2151 FAX:763-201-2134 www.engineeredflex.com	
<b>V - LOOP COPPER SWEAT ENDS</b>	
DRAWN BY:	DATE:
APPROVED:	DATE:
SCALE: NONE	DRAWING NUMBER:

# COPPER SWEAT ENDS

# MATERIALS OF CONSTRUCTION

END FITTINGS COPPER FEMALE SWEAT  
 HOSE & BRAID SINGLE BRAIDED BRONZE  
 90° ELBOW COPPER  
 180° RETURN COPPER



QTY.	PIPE SIZE NPS	MODEL	AXIAL	A	B	WORKING PRESSURE (PSIG)	SPRING FORCE LBS*	NOTES
	2-1/2"	EVS2	+/- 2"	36.75"	17.00"	272	83	
	3"	EVS2	+/- 2"	44.50"	19.00"	201	90	
	4"	EVS2	+/- 2"	48.00"	21.00"	142	120	

**\*SPRING FORCE: THESE VALUES REFLECT THE TOTAL FORCE REQUIRED TO MOVE THE V - LOOP IT'S FULL RATED MOVEMENT FOR 150 PSI @ 70° F. ALL DIMENSIONS ARE IN INCHES .**


CUSTOMER: \_\_\_\_\_

PROJECT: \_\_\_\_\_

ENGINEER: \_\_\_\_\_

PURCHASE ORDER: \_\_\_\_\_

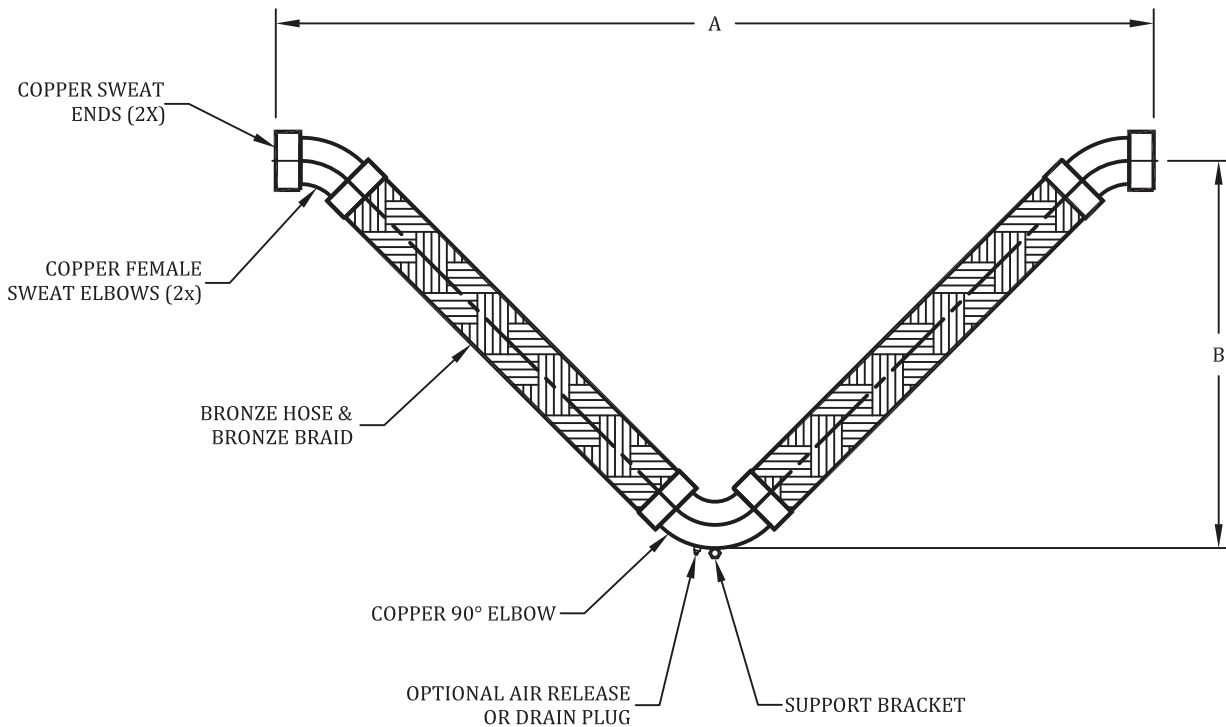


REV.	DATE
 <b>ENGINEERED FLEXIBLE PRODUCTS, INC.</b>	
5331 Quam Ave., N.E. St. Michael, MN 55376 TEL:763-201-2151 FAX:763-201-2134 www.engineeredflex.com	
<b>V - LOOP COPPER SWEAT ENDS</b>	
DRAWN BY:	DATE:
APPROVED:	DATE:
SCALE: NONE	DRAWING NUMBER:

# COPPER SWEAT ENDS

# MATERIALS OF CONSTRUCTION

END FITTINGS COPPER FEMALE SWEAT  
 HOSE & BRAID SINGLE BRAIDED BRONZE  
 90° ELBOW COPPER  
 180° RETURN COPPER



QTY.	PIPE SIZE NPS	MODEL	AXIAL	A	B	WORKING PRESSURE (PSIG)	SPRING FORCE LBS*	NOTES
	1/2"	EVS3	+/- 3"	23.75"	11.50"	706	45	
	3/4"	EVS3	+/- 3"	26.25"	12.50"	577	47	
	1"	EVS3	+/- 3"	28.00"	13.00"	470	53	
	1-1/4"	EVS3	+/- 3"	31.00"	14.00"	361	66	
	1-1/2"	EVS3	+/- 3"	32.50"	15.00"	329	70	
	2"	EVS3	+/- 3"	36.75"	16.50"	317	78	

**\*SPRING FORCE: THESE VALUES REFLECT THE TOTAL FORCE REQUIRED TO MOVE THE V - LOOP IT'S FULL RATED MOVEMENT FOR 150 PSI @ 70° F. ALL DIMENSIONS ARE IN INCHES .**

CUSTOMER: \_\_\_\_\_

PROJECT: \_\_\_\_\_

ENGINEER: \_\_\_\_\_

PURCHASE ORDER: \_\_\_\_\_

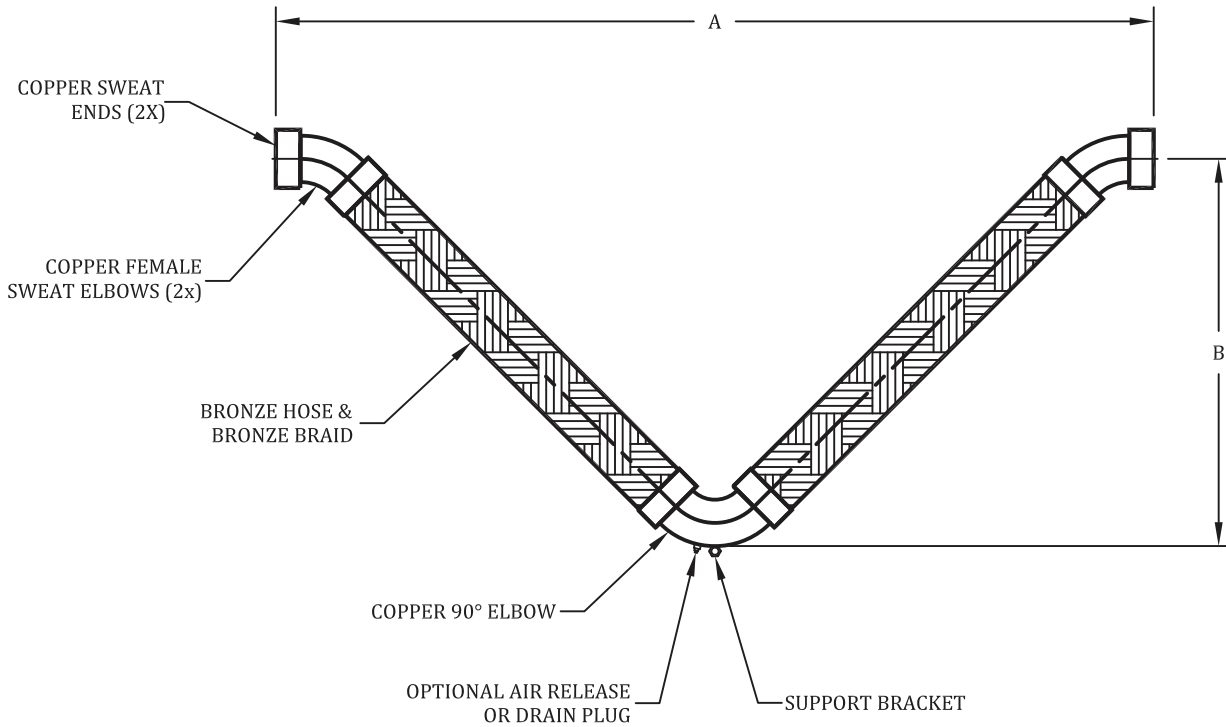


REV.	DATE
5331 Quam Ave., N.E. St. Michael, MN 55376 TEL:763-201-2151 FAX:763-201-2134 www.engineeredflex.com	
<b>V - LOOP COPPER SWEAT ENDS</b>	
DRAWN BY:	DATE:
APPROVED:	DATE:
SCALE: NONE	DRAWING NUMBER:

# COPPER SWEAT ENDS

# MATERIALS OF CONSTRUCTION

END FITTINGS COPPER FEMALE SWEAT  
 HOSE & BRAID SINGLE BRAIDED BRONZE  
 90° ELBOW COPPER  
 180° RETURN COPPER



QTY.	PIPE SIZE NPS	MODEL	AXIAL	A	B	WORKING PRESSURE (PSIG)	SPRING FORCE LBS*	NOTES
	2-1/2"	EVS3	+/- 3"	41.75"	19.00"	272	83	
	3"	EVS3	+/- 3"	46.50"	21.00"	201	90	
	4"	EVS3	+/- 3"	53.50"	24.00"	142	120	

**\*SPRING FORCE: THESE VALUES REFLECT THE TOTAL FORCE REQUIRED TO MOVE THE V - LOOP IT'S FULL RATED MOVEMENT FOR 150 PSI @ 70° F. ALL DIMENSIONS ARE IN INCHES .**

CUSTOMER: \_\_\_\_\_

PROJECT: \_\_\_\_\_

ENGINEER: \_\_\_\_\_

PURCHASE ORDER: \_\_\_\_\_

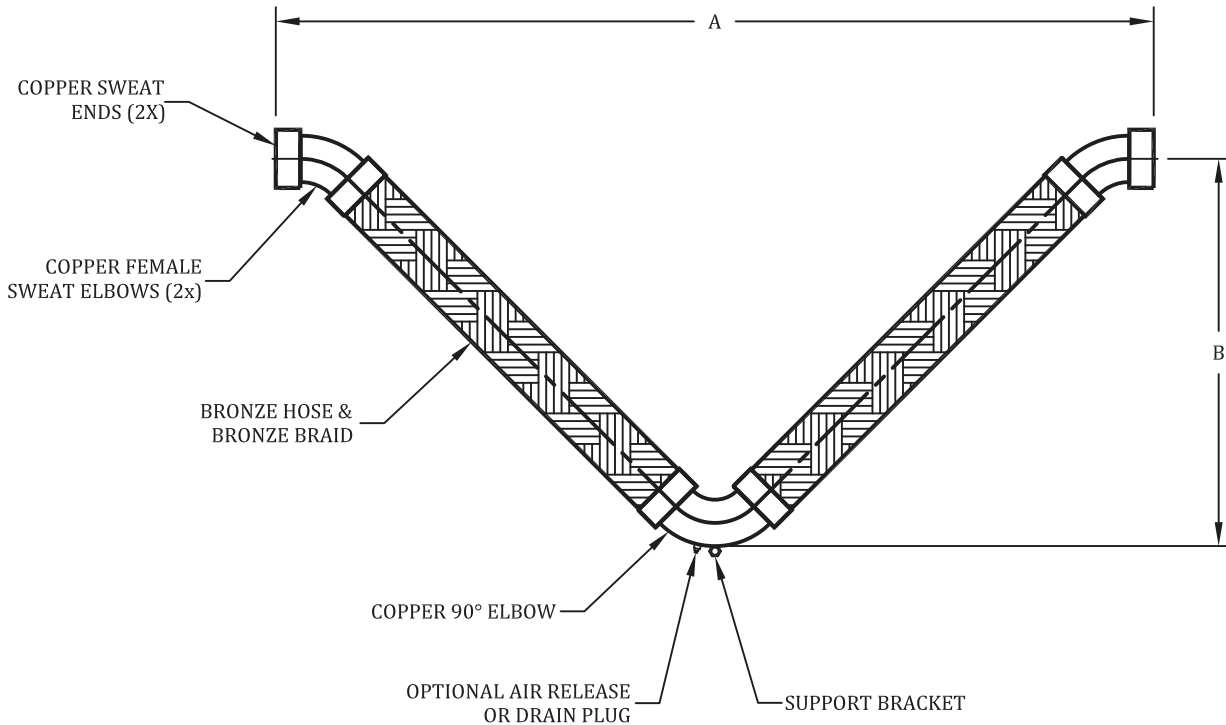


REV.	DATE
5331 Quam Ave., N.E. St. Michael, MN 55376 TEL:763-201-2151 FAX:763-201-2134 www.engineeredflex.com	
<b>V - LOOP COPPER SWEAT ENDS</b>	
DRAWN BY:	DATE:
APPROVED:	DATE:
SCALE: NONE	DRAWING NUMBER:

# COPPER SWEAT ENDS

# MATERIALS OF CONSTRUCTION

END FITTINGS COPPER FEMALE SWEAT  
 HOSE & BRAID SINGLE BRAIDED BRONZE  
 90° ELBOW COPPER  
 180° RETURN COPPER



QTY.	PIPE SIZE NPS	MODEL	AXIAL	A	B	WORKING PRESSURE (PSIG)	SPRING FORCE LBS*	NOTES
	1/2"	EVS4	+/- 4"	26.50"	12.50"	706	45	
	3/4"	EVS4	+/- 4"	30.00"	14.00"	577	47	
	1"	EVS4	+/- 4"	31.75"	14.00"	470	53	
	1-1/4"	EVS4	+/- 4"	34.50"	16.00"	361	66	
	1-1/2"	EVS4	+/- 4"	36.00"	16.50"	329	70	
	2"	EVS4	+/- 4"	40.25"	18.50"	317	78	


**\*SPRING FORCE: THESE VALUES REFLECT THE TOTAL FORCE REQUIRED TO MOVE THE V - LOOP IT'S FULL RATED MOVEMENT FOR 150 PSI @ 70° F. ALL DIMENSIONS ARE IN INCHES .**

CUSTOMER: \_\_\_\_\_

PROJECT: \_\_\_\_\_

ENGINEER: \_\_\_\_\_

PURCHASE ORDER: \_\_\_\_\_

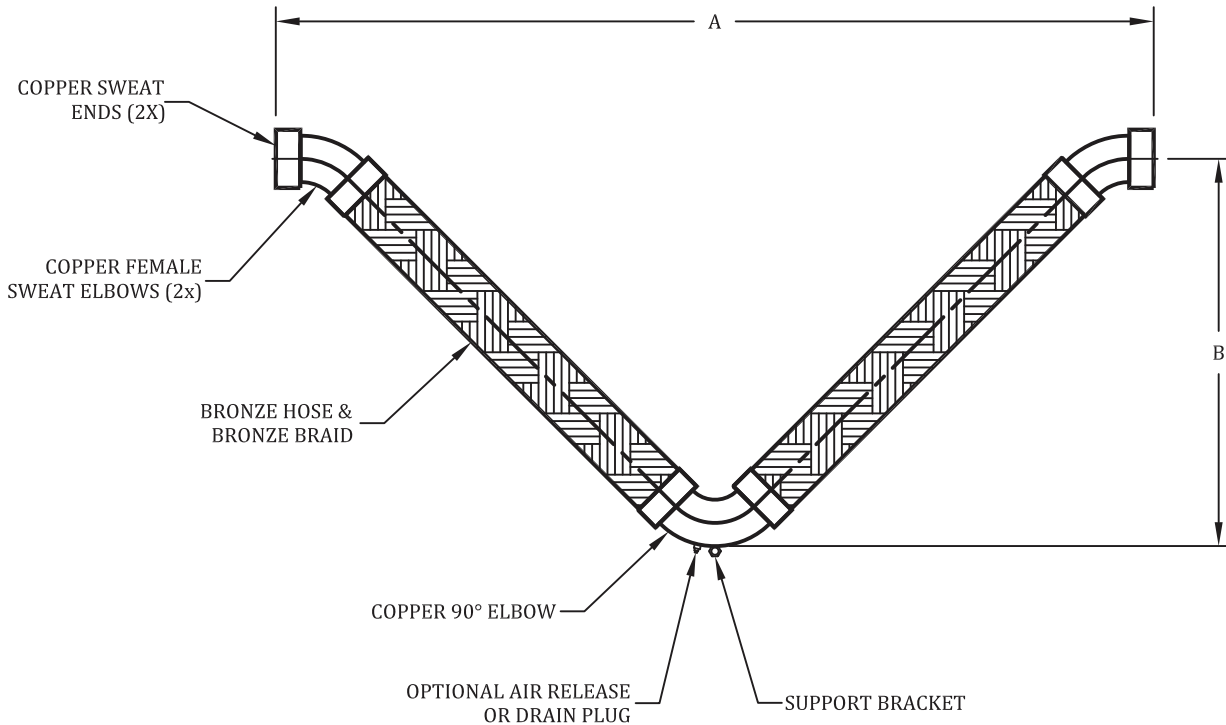
REV.	DATE
 <b>ENGINEERED FLEXIBLE PRODUCTS, INC.</b>	
5331 Quam Ave., N.E. St. Michael, MN 55376 TEL:763-201-2151 FAX:763-201-2134 www.engineeredflex.com	
<b>V - LOOP COPPER SWEAT ENDS</b>	
DRAWN BY:	DATE:
APPROVED:	DATE:
SCALE: NONE	DRAWING NUMBER:



# COPPER SWEAT ENDS

# MATERIALS OF CONSTRUCTION

END FITTINGS COPPER FEMALE SWEAT  
 HOSE & BRAID SINGLE BRAIDED BRONZE  
 90° ELBOW COPPER  
 180° RETURN COPPER



QTY.	PIPE SIZE NPS	MODEL	AXIAL	A	B	WORKING PRESSURE (PSIG)	SPRING FORCE LBS*	NOTES
	2-1/2"	EVS4	+/- 4"	45.25"	20.25"	272	83	
	3"	EVS4	+/- 4"	51.50"	23.50"	201	90	
	4"	EVS4	+/- 4"	58.50"	26.50"	142	120	

**\*SPRING FORCE: THESE VALUES REFLECT THE TOTAL FORCE REQUIRED TO MOVE THE V - LOOP IT'S FULL RATED MOVEMENT FOR 150 PSI @ 70° F. ALL DIMENSIONS ARE IN INCHES .**

CUSTOMER: \_\_\_\_\_

PROJECT: \_\_\_\_\_

ENGINEER: \_\_\_\_\_

PURCHASE ORDER: \_\_\_\_\_



REV.	DATE
5331 Quam Ave., N.E. St. Michael, MN 55376 TEL:763-201-2151 FAX:763-201-2134 www.engineeredflex.com	
<b>V - LOOP COPPER SWEAT ENDS</b>	
DRAWN BY:	DATE:
APPROVED:	DATE:
SCALE: NONE	DRAWING NUMBER: